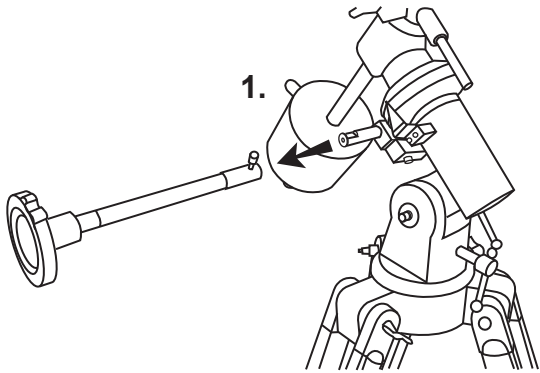


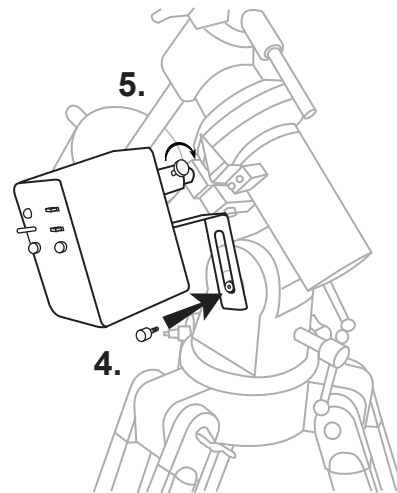
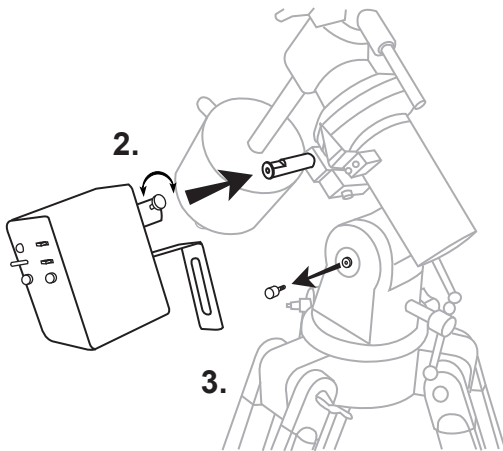
EQ1 simple

Clock Drive



INSTALLATION

- 1) Remove R.A. control cable from equatorial mount.
- 2) Loosen set screw on end of the flexible motor coupler. Slide the open end of the flexible motor coupler over the R.A. axis worm gear.
- 3) Use included hex key to remove hex screw from altitude axis.
- 4) Fasten motor drive mounting bracket to altitude axis using 4mm hex screw. Leave screw loose enough to allow motor to rotate slightly.
- 5) Tighten set screw to hold the flexible motor coupler onto R.A. control axis.
- 6) Make sure that all the screws are tightened and the motor drive is secured.



OPERATION

The motor drive comes equipped with a 9V battery. The LED light on the unit indicates when power is on. Use on/off switch to turn off power and conserve the battery.

This motor is designed to compensate for the earth's rotation. It's rotation speed matches the earth's rotation rate for stars to appear stationary in telescope eyepiece. The slender plastic knob allows for fine-adjustment to the tracking rate. Use this for correction of motor speed during observing. For the motor drive to properly compensate for the earth's rotation, your telescope mount must be polar-aligned and the altitude set to your local latitude.

The N/S switch is used to control direction of motor tracking. Use the "S" setting for observing in the southern hemisphere.

Technical Support

Canada: 604-270-2813 between 9:00AM and 3:00PM PST
Outside Canada: Please contact your dealer for technical support.