

CARSON®

Linen Tester™



LT-20



LT-30



LT-60

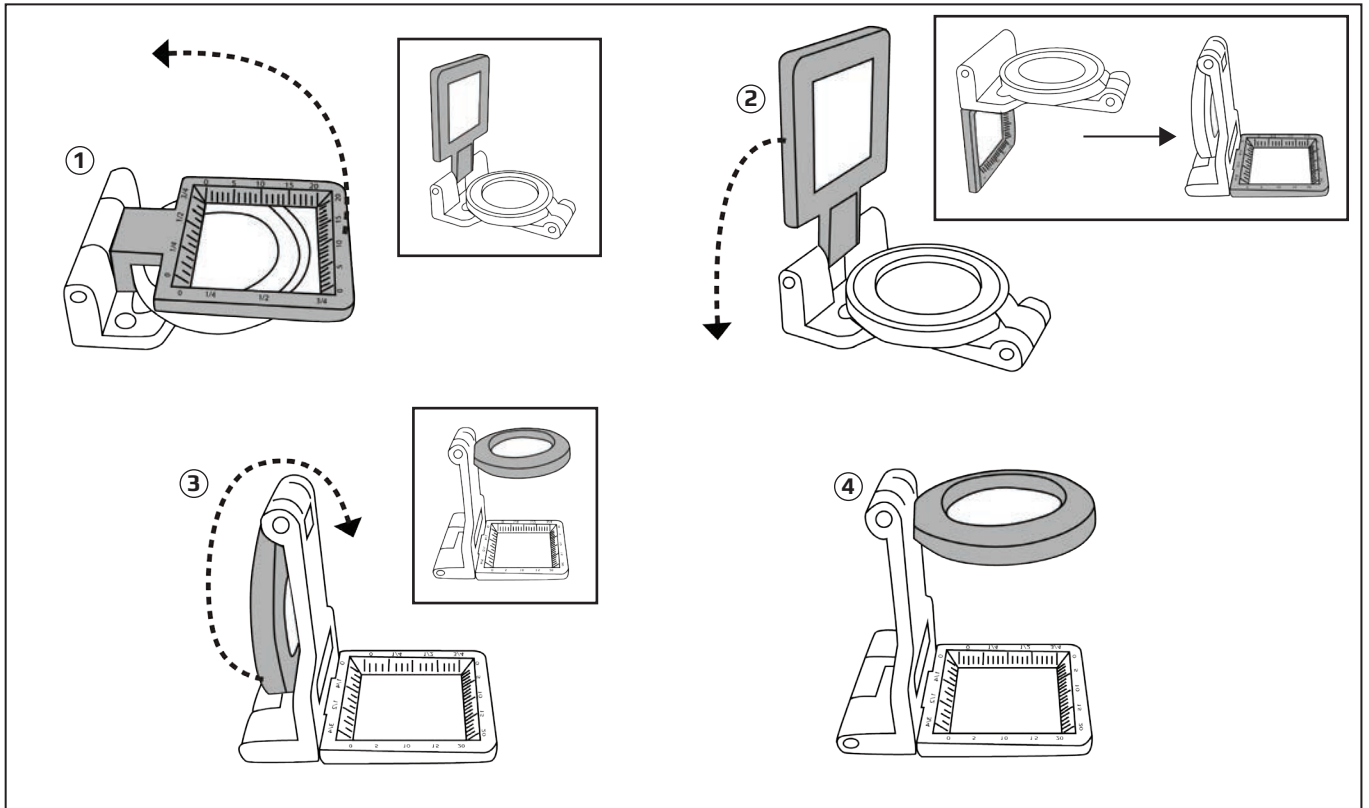


LT-80

Congratulations on selecting your new Carson Linen Tester! In order to achieve optimum performance, please follow instructions for proper use and care.

MODEL:	MAGNIFICATION:	LENS DIAMETER:	DIMENSIONS:	ACCESSORIES:
LT-20	6.5x	20mm (1")	1.2" x 1.8" x 1.7"	None
LT-30	5x	30mm (1.2")	2.3" x 2.3" x 2.3"	None
LT-60	6.5x	20mm (1")	1.2" x 1.7" x 1.7"	Soft Storage Pouch
LT-80	5x	30mm (1.2")	1.7" x 2.3" x 2.3"	Soft Storage Pouch

SETTING UP LINEN TESTER



CLEANING & CARE

- Clean using microfiber lens cloth. Do not use any abrasives, chemical cleaners, or solvents.
- If your model comes with soft storage pouch, store in pouch when not in use.

Customer Service: If you experience any difficulties, please contact us and we will be happy to help you.



✉ info@carson.com



✉ uksupport@carson.com



✉ eusupport@carson.com

For warranty information, visit www.carson.com/warranty

www.carson.com

Carson Optical 2070 5th Avenue, Ronkonkoma, NY 11779 | Tel: 631-963-5000